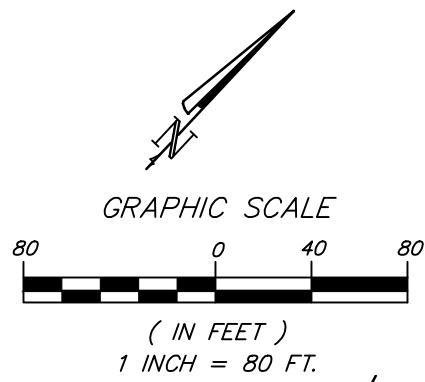


LEGEND

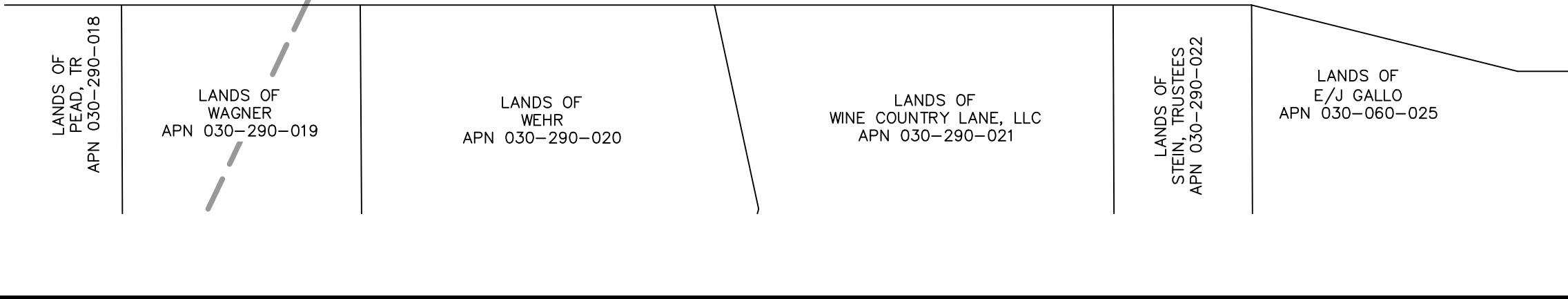
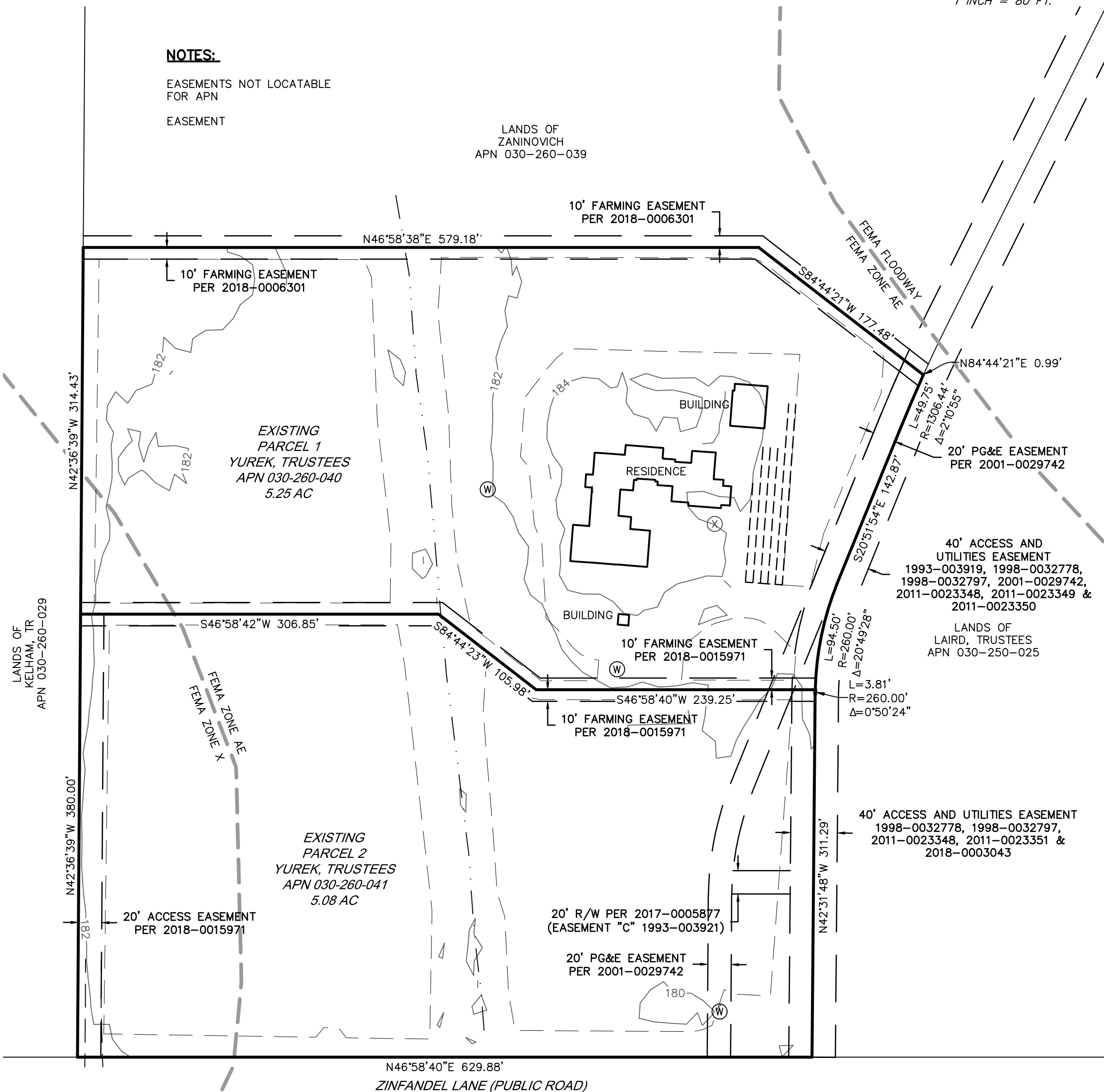
- (W) WELL
- (S) SEPTIC TANK
- - - - - 125' INT. CONTOUR LINES
- [|||||] SEPTIC FIELD
- - - - - APPROXIMATE PROPERTY LINE
- - - - - APPROXIMATE EASEMENT LINE
- - - - - PROPERTY LINE TO BE ADJUSTED
- - - - - FEMA FLOOD ZONE LINE
- - - - - BLUE LINE STREAM PER NAPA GIS
- [] STRUCTURE AS NOTED

APPLICATION MAP FOR LOT LINE ADJUSTMENT
 COUNTY OF NAPA, STATE OF CALIFORNIA
EXISTING CONFIGURATION



NOTES:

- EASEMENTS NOT LOCATABLE FOR APN
- EASEMENT



LEGEND

- (W) WELL
- (S) SEPTIC TANK
- - - - - 125' INT. CONTOUR LINES
- [|||||] SEPTIC FIELD
- - - - - APPROXIMATE PROPERTY LINE
- - - - - APPROXIMATE EASEMENT LINE
- - - - - PROPERTY LINE TO BE ADJUSTED
- - - - - FEMA FLOOD ZONE LINE
- - - - - BLUE LINE STREAM PER NAPA GIS
- [] STRUCTURE AS NOTED

APPLICATION MAP FOR LOT LINE ADJUSTMENT
 COUNTY OF NAPA, STATE OF CALIFORNIA
PROPOSED CONFIGURATION

